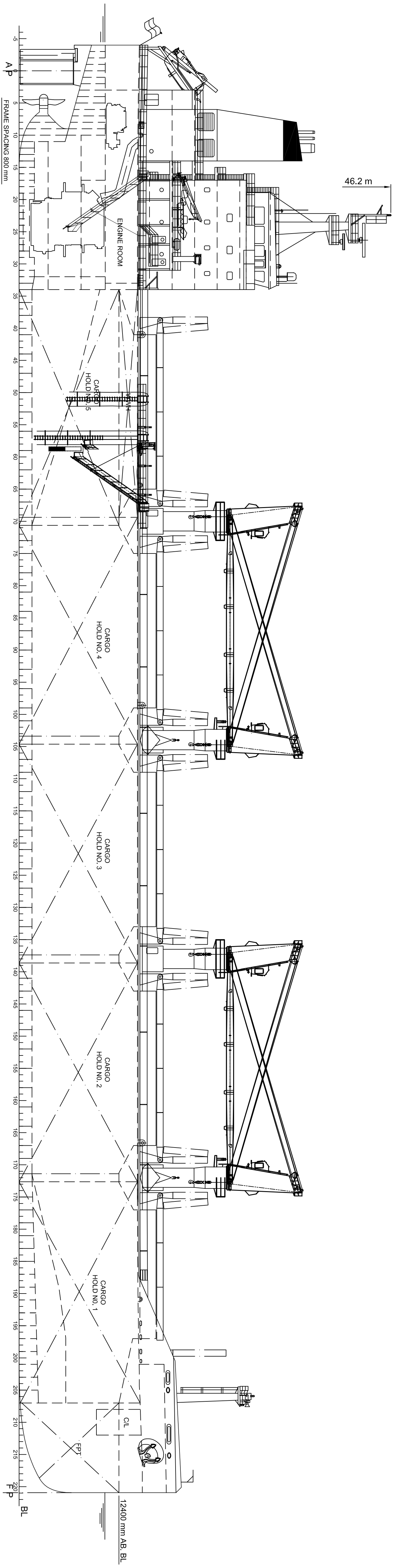
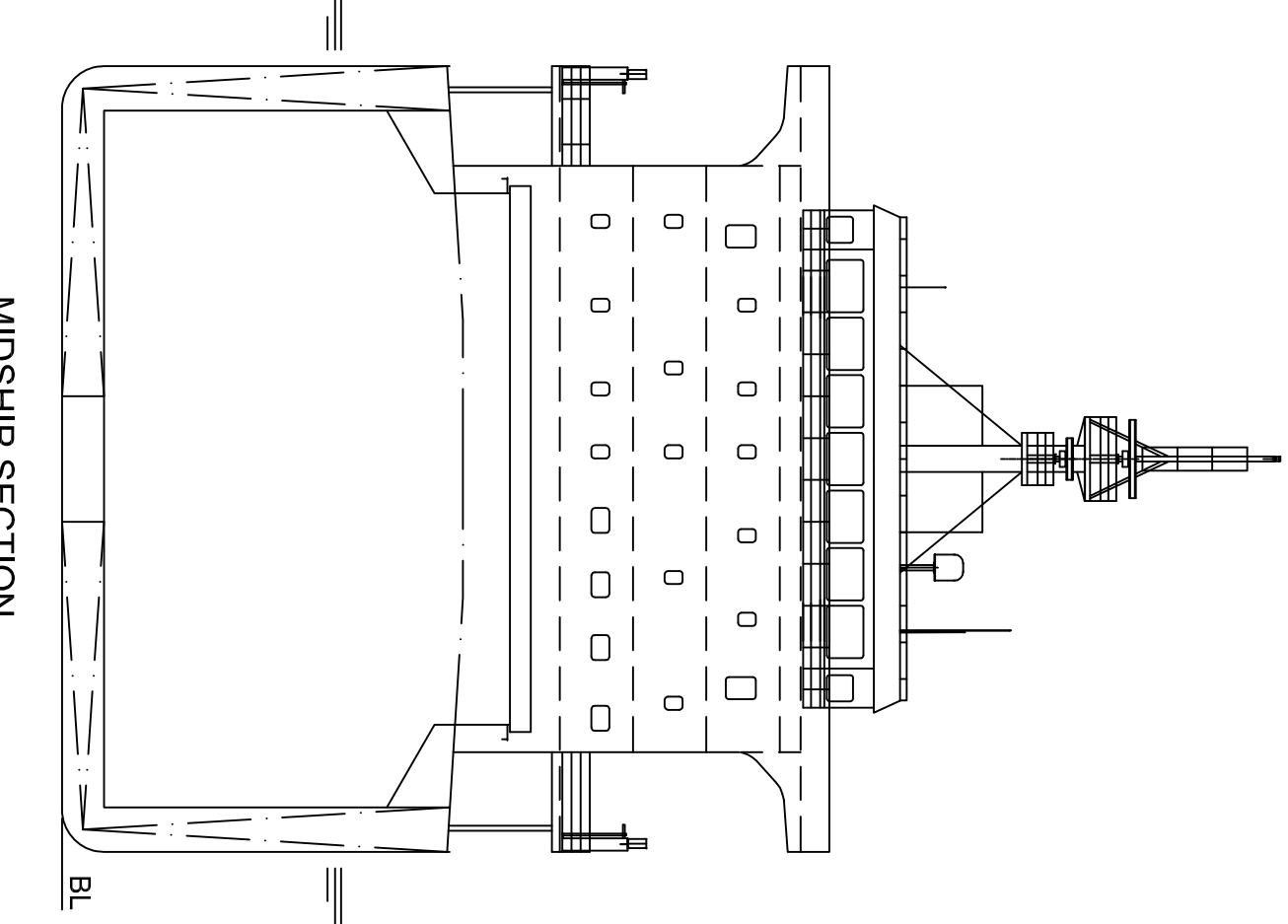


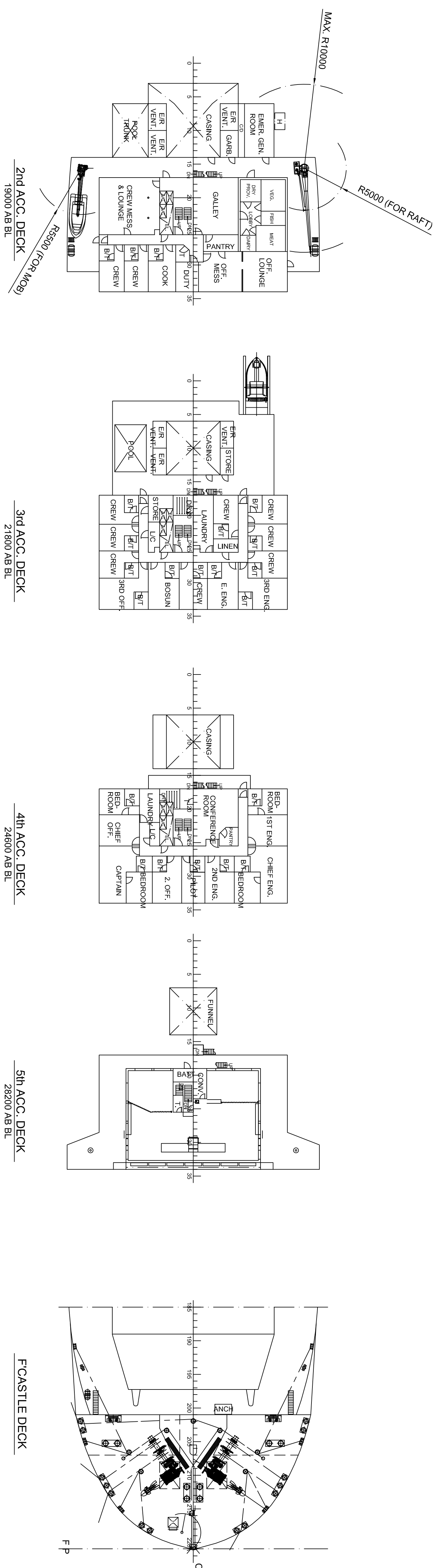
WHEELHOUSE TOP
 31200 mm AB BL
 5th ACC. DECK
 28200 mm AB BL
 4th ACC. DECK
 26800 mm AB BL
 3rd ACC. DECK
 24800 mm AB BL
 2nd ACC. DECK
 19800 mm AB BL
 UPPER DECK (SIDE)
 14700 mm AB BL
 A-DECK
 10700 mm AB BL
 B-DECK
 7700 mm AB BL
 TANK TOP
 1800/1905 mm AB BL



PROFILE



MIDSHIP SECTION



2nd ACC. DECK
19800 AB BL

3rd ACC. DECK
21800 AB BL

4th ACC. DECK
24800 AB BL

5th ACC. DECK
28200 AB BL

FOCASTLE DECK

TRANSVERSE BULKHEAD

A1 009-01

SEAHORSE 375 - 37,300 DWT BULK CARRIER

MAIN DIMENSIONS (ALL APPROX):

LENGTH OA MAX	180.00	m
LENGTH PP APPROX	176.75	m
RULE LENGTH	174.55	m
BREADTH (MLD)	30.00	m
DEPTH TO UPPER DECK (MLD)	14.70	m
CARGO CAPACITY (100%)	46,700	m ³
DWT (SCANTLING DRAUGHT)	37,300	t
DESIGN DRAUGHT	10.10	m
SCANTLING DRAUGHT	10.65	m
CB (SCANTLING DRAUGHT)	0.84	
SERVICE SPEED (DESIGN DRAUGHT)	14.00	kn
CORRESPONDING OUTPUT (15% SEA MARGIN)	5,675	kW

CLASS NOTATION:

BV 1, +HULL, +MACH, Bulk Carrier CSR, BC-A (holds 2,4 may be empty),
 ESP, unrestrictd navigation, GRABRZD, AUT-LIMS, MON-SHAFT,
 INWATERSURVEY, OPS(WBT), heavycargo, BWT

NOTE:

VESSEL IS PREPARED FOR LATER INSTALLATION OF LOG STANCHIONS.
 THUS, DWT IS REDUCED TO 37,100 t

Rev	Description	Drawn By	Checked By	Date
B	UPDATED FULL SPADE RUDDER	SXF	LTA	2014-01-27
A	UPDATED WITH YARD COMMENTS ABOUT HOIS/ROSEHOFET	SXF	RUJ	2014-01-09

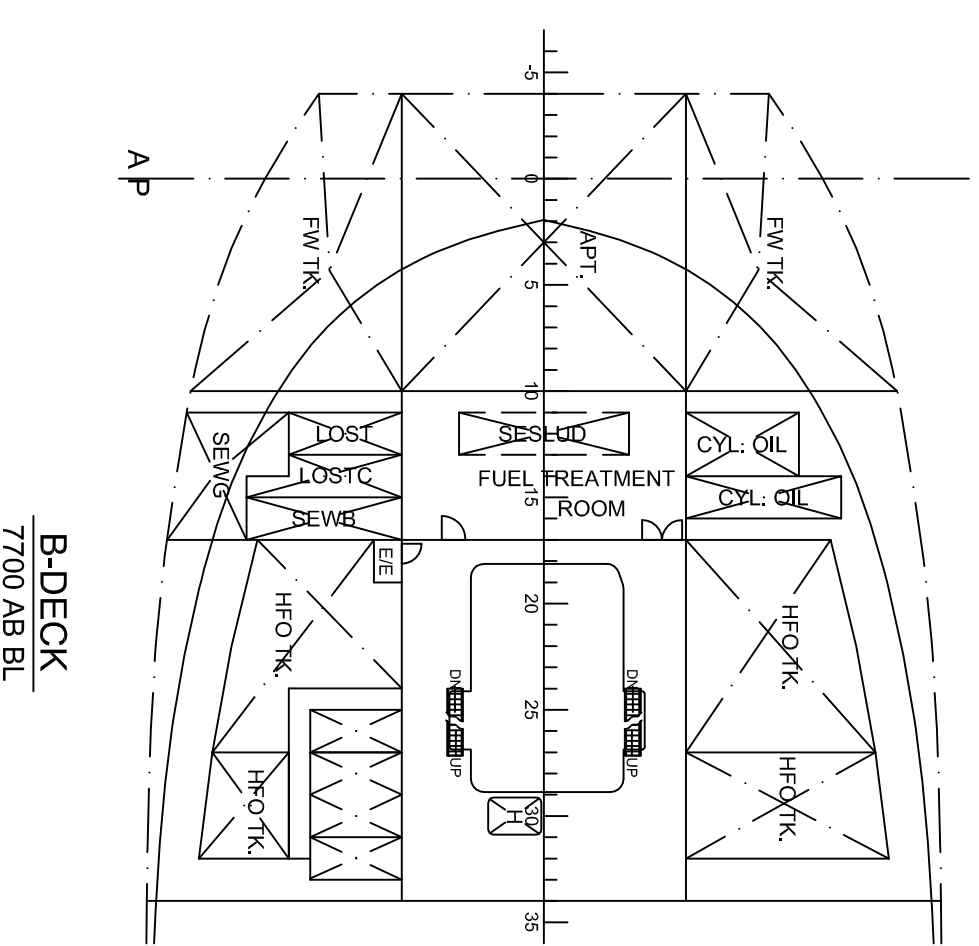


Marine
 Naval Architects - Marine Engineers - Surveyors

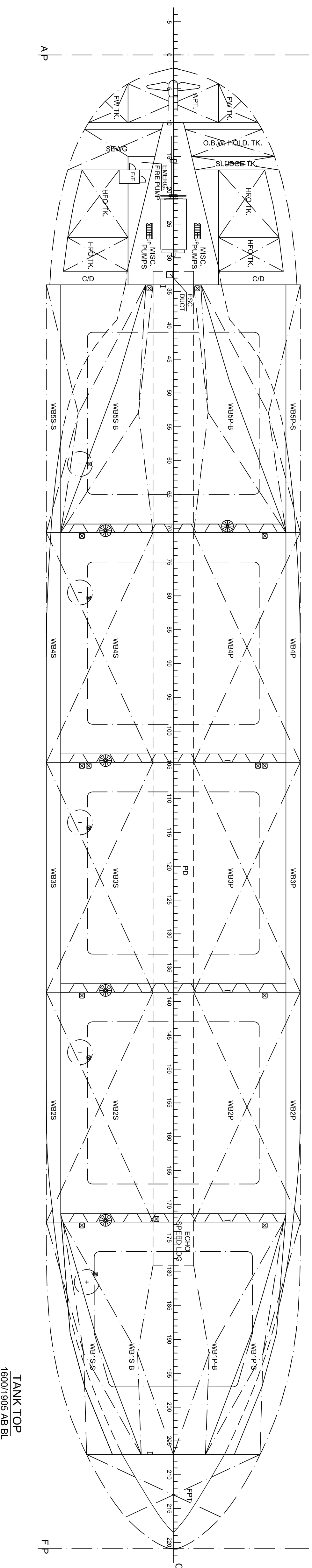
SEAHORSE 375 - GYSB
 GUOYU SHIPBUILDING NOS.GY207.GY208

GENERAL ARRANGEMENT

009-01 A



A-DECK
10700 AB BL



UPPER DECK
14700 AB BL (SIDE)

B-DECK
7700 AB BL

TANK TOP
1800/1905 AB BL